

Quotation Request Form

This is an interactive form. Fill out and Save on your computer. Then Fax or attach to an E-mail.

Keyway Cutter

Current Date

Contact Name <input type="text"/>	State <input type="text"/>	Zip <input type="text"/>
Company Name <input type="text"/>	Phone Number <input type="text"/>	
Address <input type="text"/>	Fax Number <input type="text"/>	
City <input type="text"/>	E-Mail <input type="text"/>	

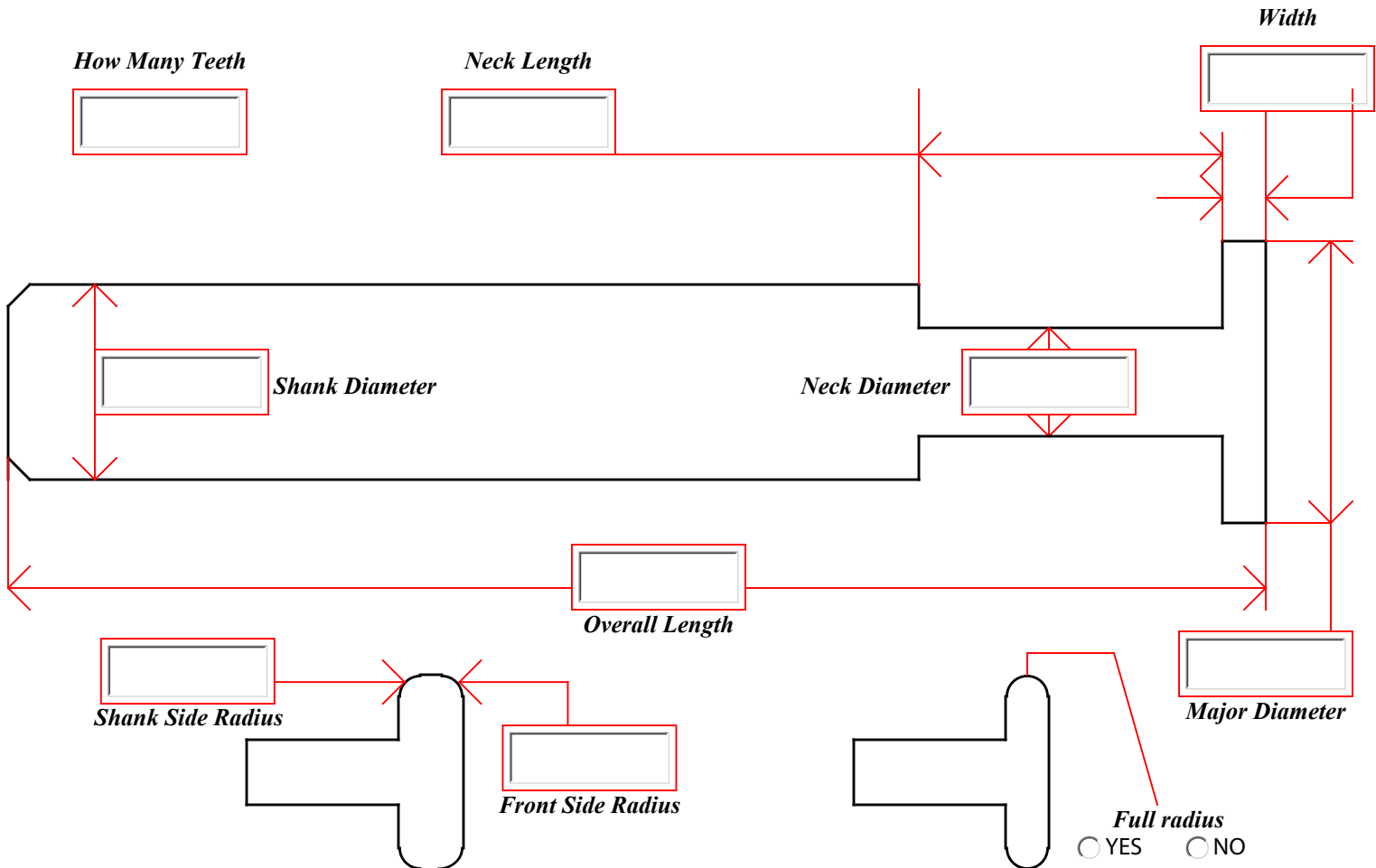
H.S.S. COBALT CARBIDE

Quote quantities of ?

QTY:

QTY:

Date Needed



Please take the time to fill out this form then fax or e-mail it to us. We will contact you shortly. Our goal is to serve you with High Quality CNC Custom Tool Manufacturing, Great Service and Fast Lead Time.

Iverson Tool Corporation

1100 Pioneer Way - El Cajon, Ca. 92020

E-Mail
custom@iversontool.com

1-800-547-4633

FAX 1-800-670-3912